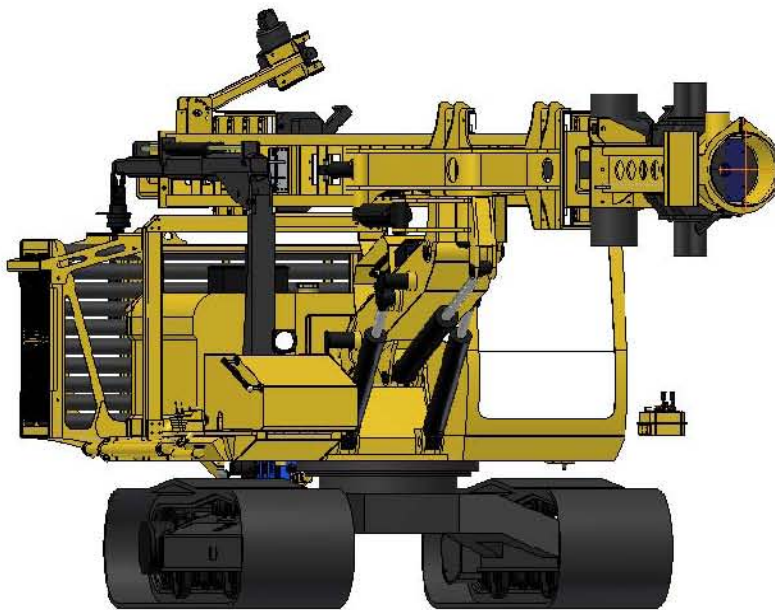


MAC 642

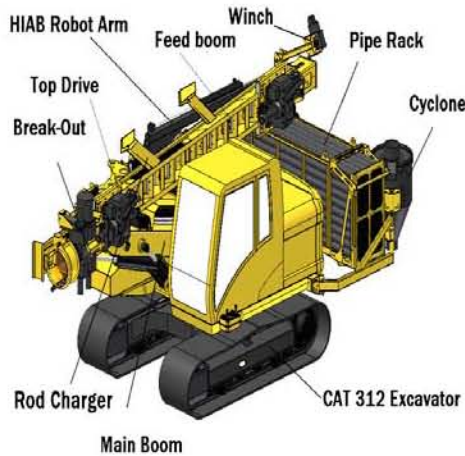


HIGH PERFORMANCE ROCK DRILLING PRODUCTS



Introducing the MAC642 drill-rig for coring and reverse circulation and DTH drilling. Finally...you have a solid option..

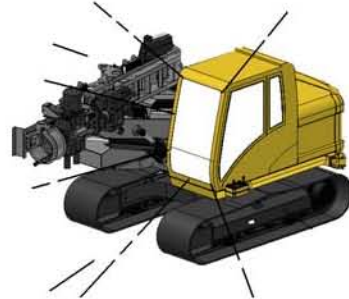
An ultra efficient drilling plat-form mounted on a CATERPILLAR excavator!



The design of the MAC 642 permits a reliable and efficient drilling in all conditions. A sturdy feed mast is linked to a caterpillar CAT 312 Excavator. The MAC642 also combines a rear pipe rack and a robot arm for easy handling of the rods. A specially designed rod charger is mouted on the the feed mast to quickly grab reducing time loss between rod changes. A powerful break-out system is also included to enhance productivity.

The MAC 642 provides an enhanced visibility within the cab. The cab furnishes an ergonomic and safe environnement for the operator.

Enhanced visibility



With a simple design relying on high quality components, the MAC 642 combines versatility with high production and performance.

The MAC 642 is an ideal drilling rig for Mining Exploration applications.

Complete, compact, lightweight, mounted on tracks, the rig has access to difficult-to-access properties and also transportable by truck.

The MAC 642 can be quickly set as "freight mode" as shown on the picture below and gain acces to severe cliffs in all conditions.

Freight mode

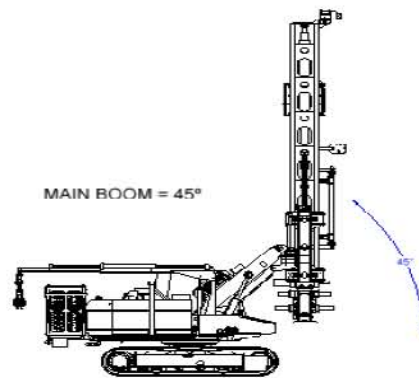
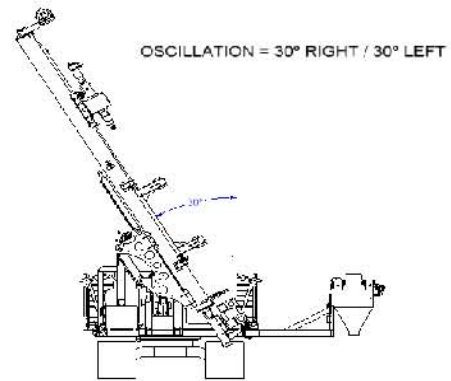
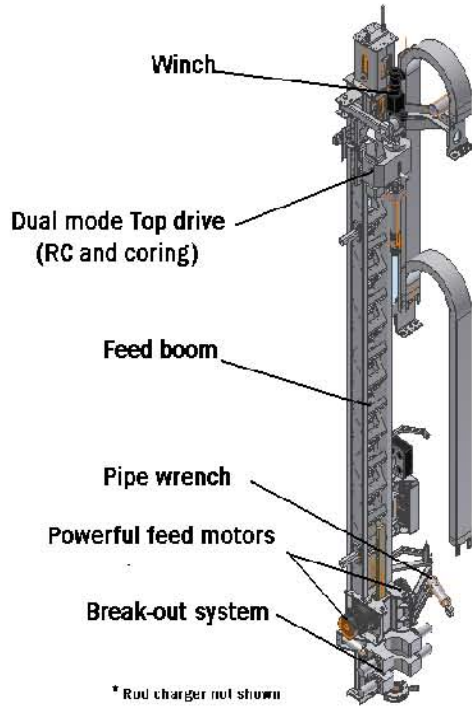


Drilling mode

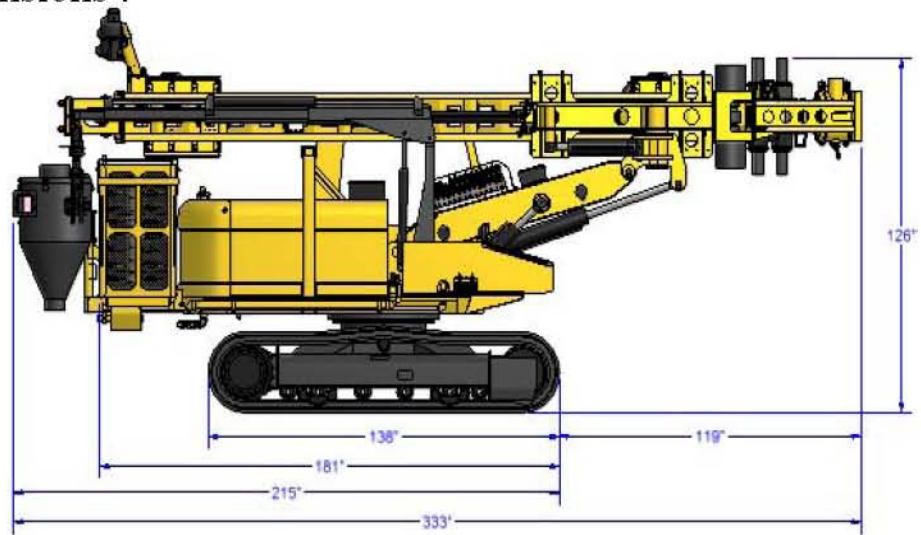




The accurate drilling relies on a sturdy, sheet metal plated feed boom.



Dimensions :



Feed Boom dimensions :

